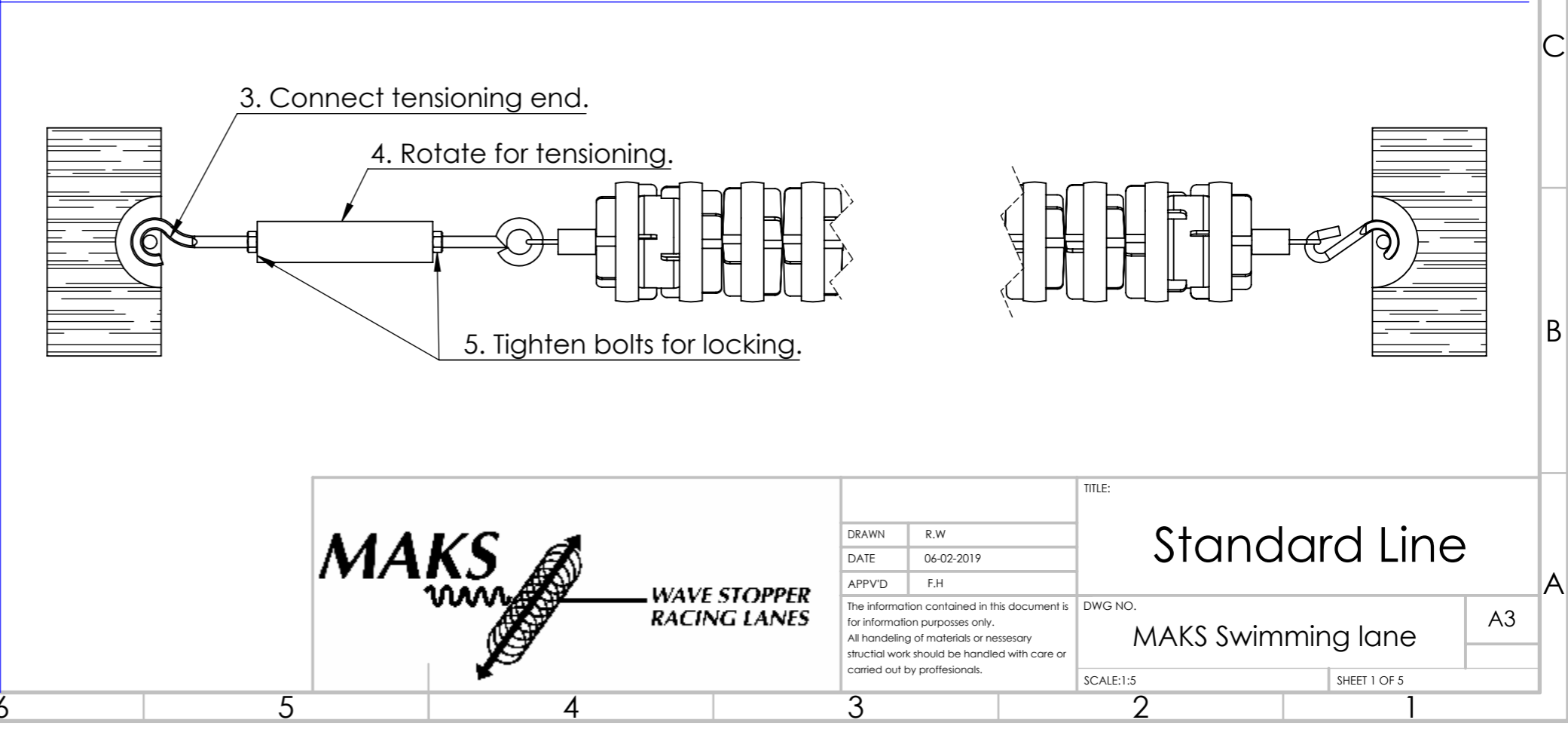
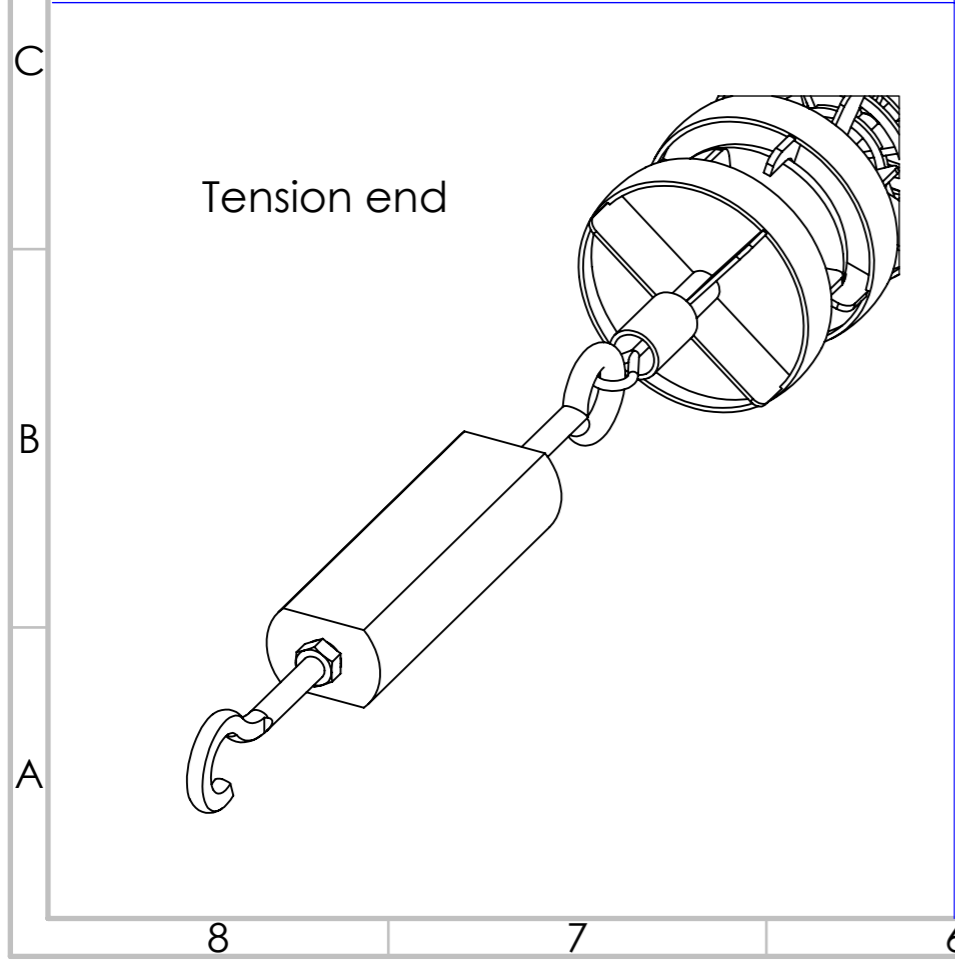
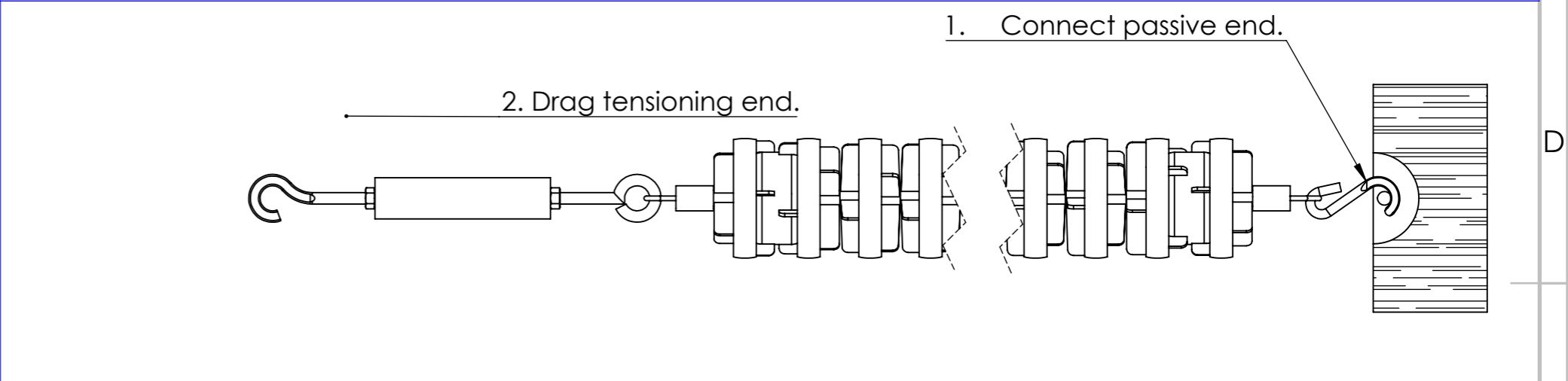


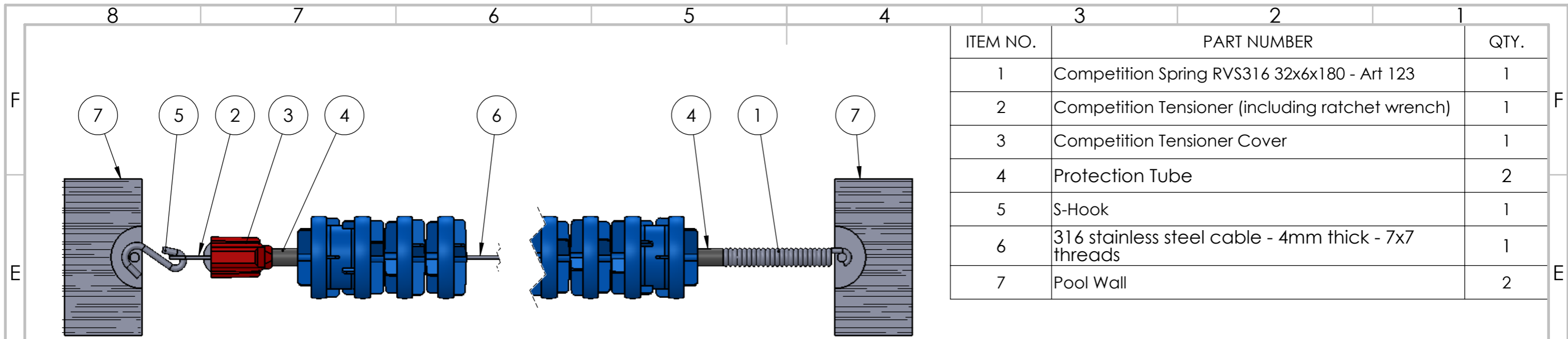
ITEM NO.	PART NUMBER	QTY.
1	S-Hook Flat	1
2	Standard Tensioner - Line Hook	1
3	Standard Tensioner - Tension Block	1
4	Standard Tensioner - Wall Hook	1
5	Protection Tube	2
6	316 stainless steel cable - 4mm thick - 7x7 threads	1
7	Hexagon Nut	2
8	Pool Wall	2



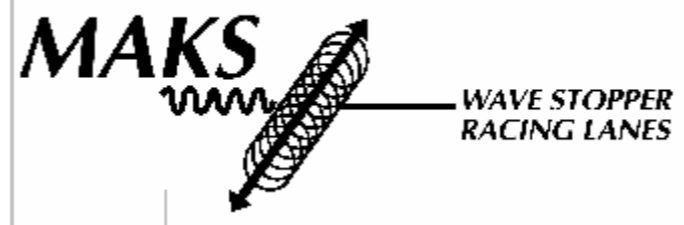
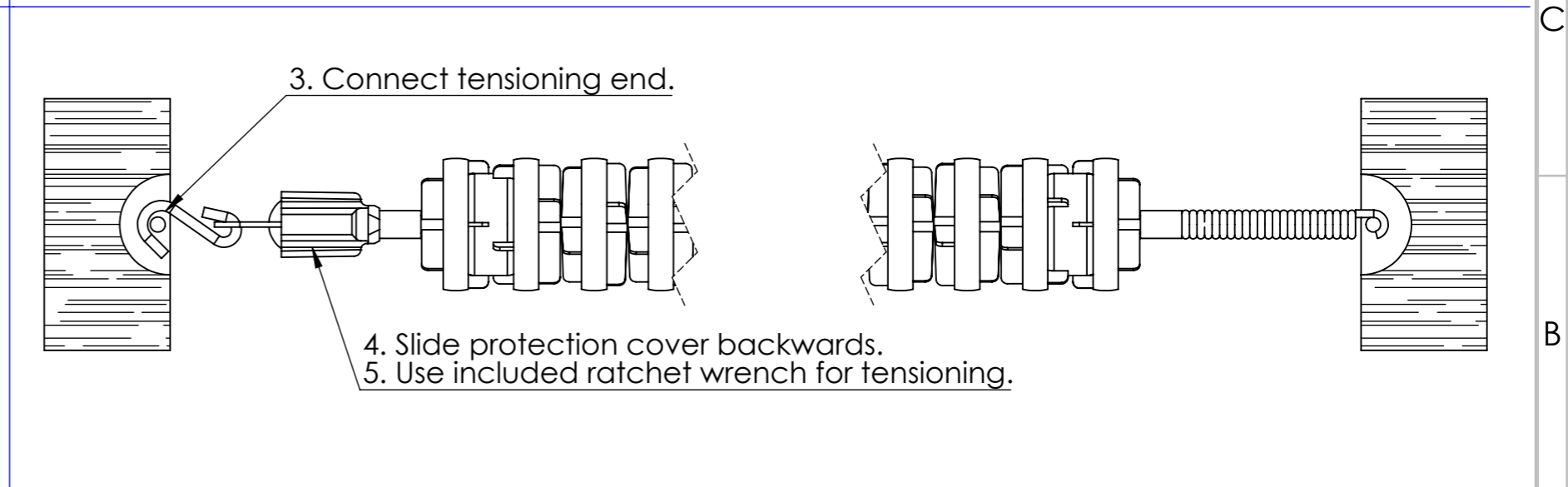
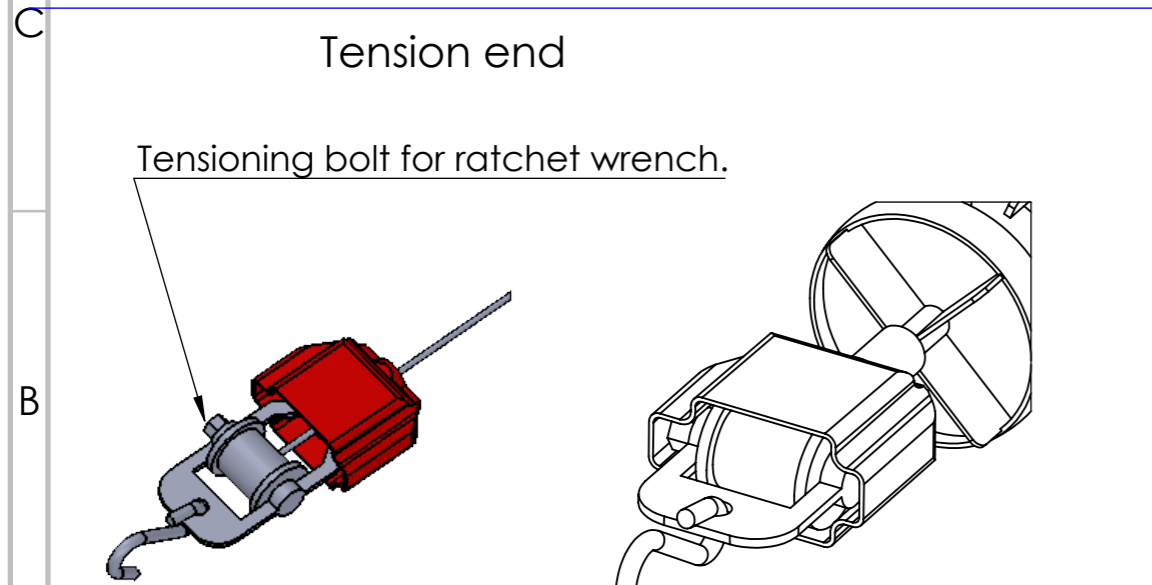
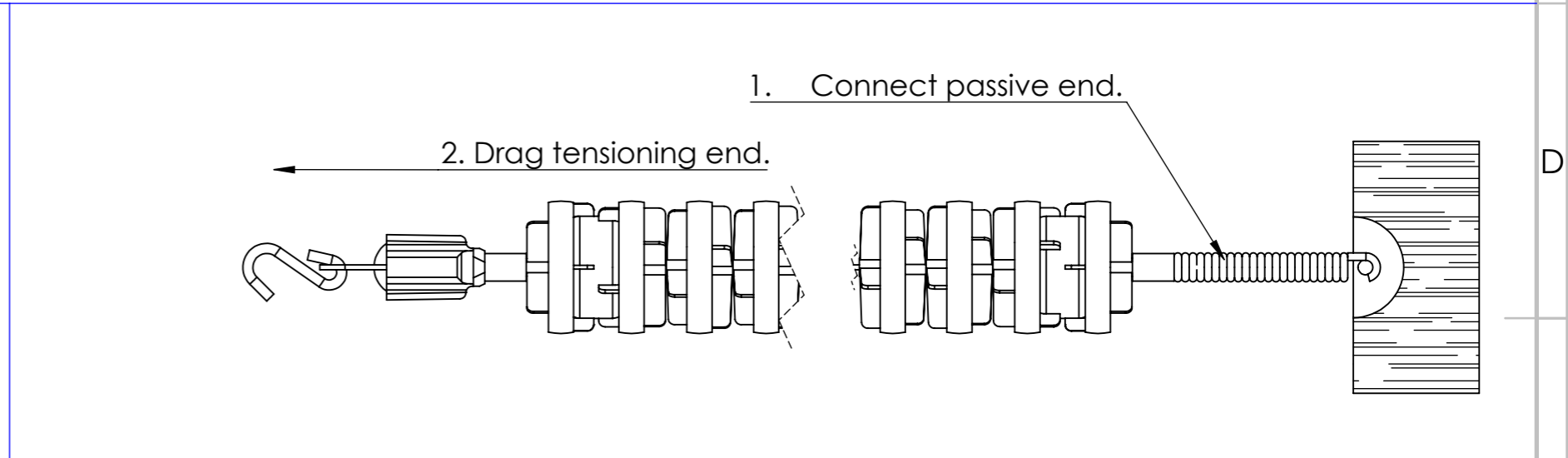
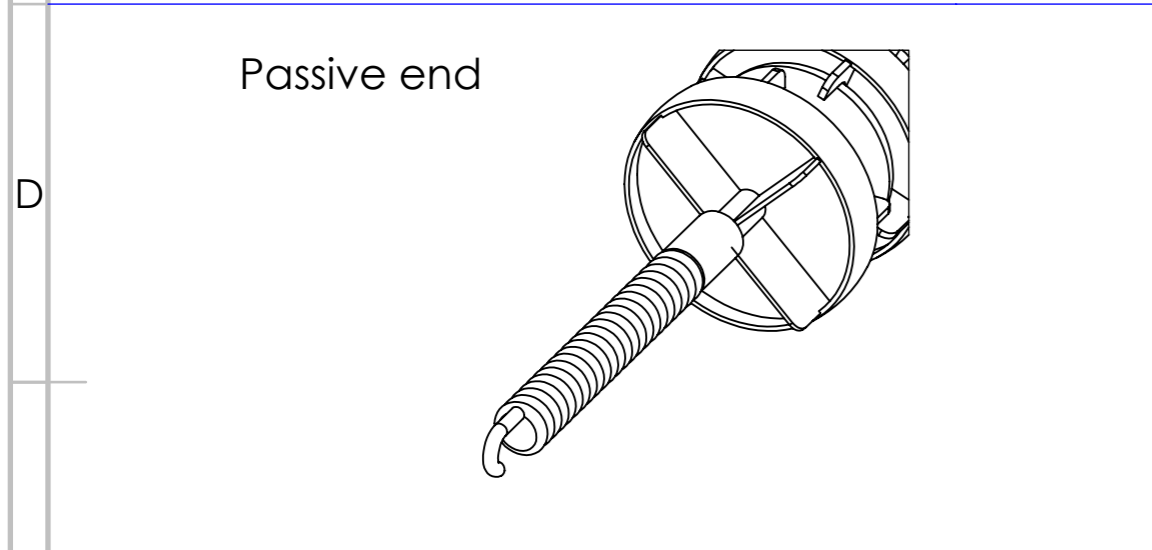
DRAWN	R.W
DATE	06-02-2019
APPV'D	F.H

The information contained in this document is for information purposes only. All handling of materials or necessary structural work should be handled with care or carried out by professionals.

TITLE:	Standard Line	
DWG NO.	MAKS Swimming lane	
SCALE:1:5	SHEET 1 OF 5	A3



ITEM NO.	PART NUMBER	QTY.
1	Competition Spring RVS316 32x6x180 - Art 123	1
2	Competition Tensioner (including ratchet wrench)	1
3	Competition Tensioner Cover	1
4	Protection Tube	2
5	S-Hook	1
6	316 stainless steel cable - 4mm thick - 7x7 threads	1
7	Pool Wall	2



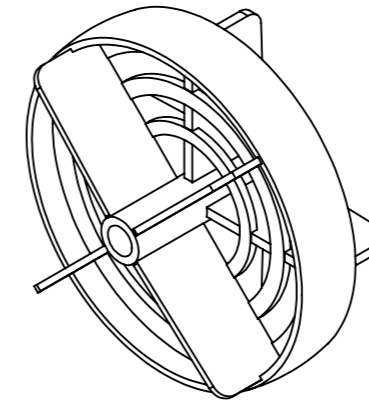
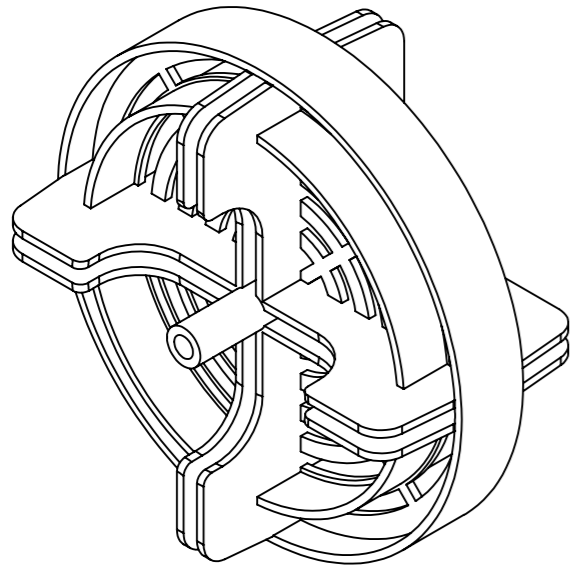
DRAWN R.W.
 DATE 06-02-2019
 APPV'D F.H.
 The information contained in this document is for information purposes only. All handling of materials or necessary structural work should be handled with care or carried out by professionals.

TITLE:
Competition Line
 DWG NO.
MAKS Swimming lane
 SCALE:1:5
 SHEET 2 OF 5

A3

ITEM NO.	PART NUMBER	QTY.
1	MAKS Wave Stopper 6 Inch 150mm	1

ITEM NO.	PART NUMBER	QTY.
1	MAKS Wave Stopper 4 Inch 105mm	1

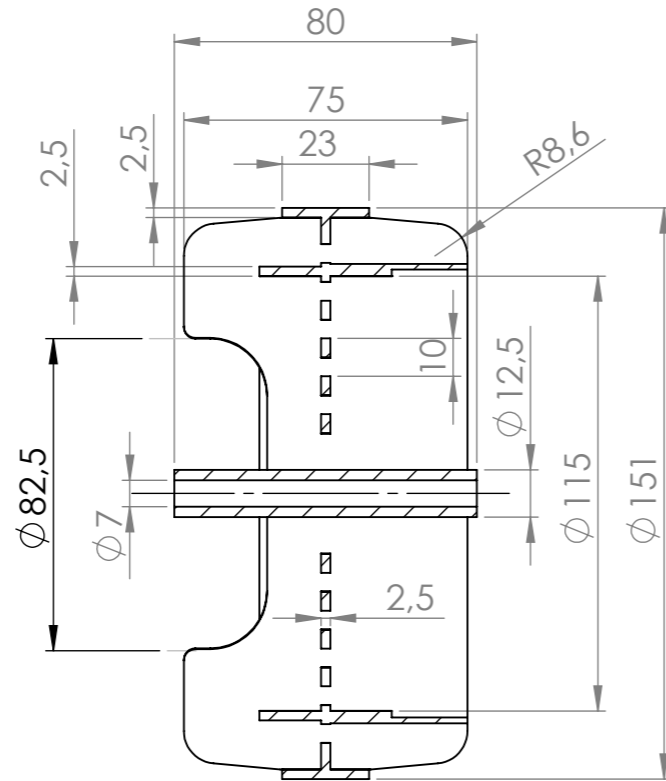
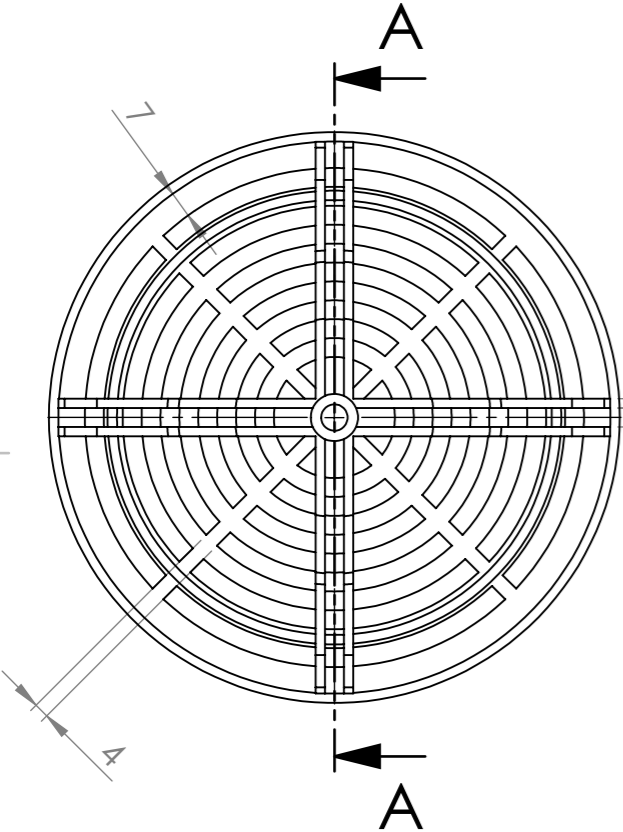


MAKS wave stopper, 4" / 100mm

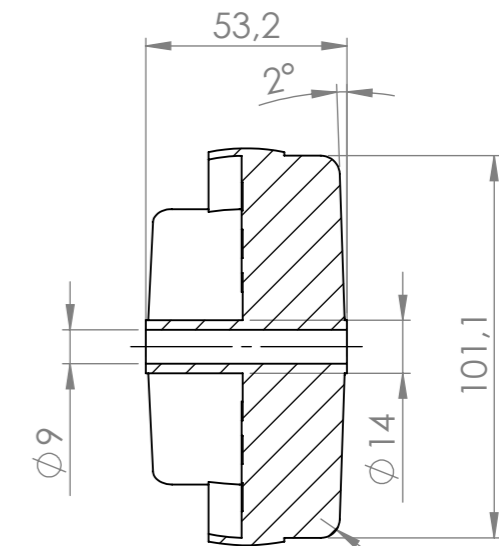
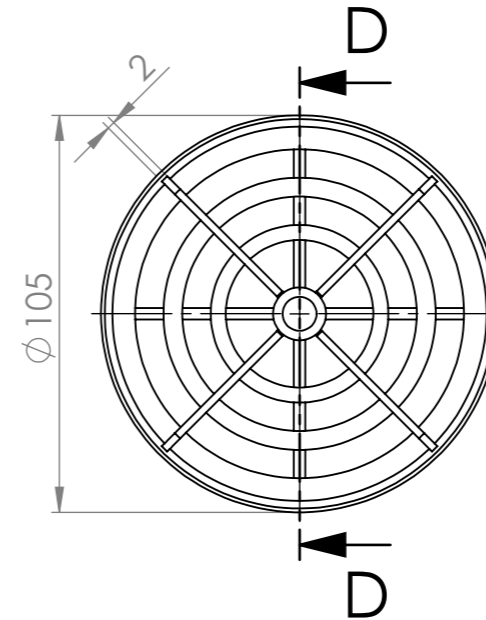
Our best wave killing 4" racing lane (in accordance with FINA regulations)

With the same unique take-up reel system and the "micro-donut" system with free rotating wave stopper discs.

Made of strong High Density PE with UV protection.



SECTION A-A
SCALE 1 : 2



SECTION D-D
SCALE 1 : 2

Maks wave stopper 6" / 150mm

The ultimate wave killing racing lane (in accordance with FINA regulation) the we can offer!

Selected throughtout the world for leading tournaments.

With a unique take-up reel that is 100% safe, does not require any tools for adjustment and takes-up the steel cable instead of rolling it up, thus prolonging it's life.

"Micro-donut" systems provides buoyancy.

Freely rotating wave stopper discs provide optimum wave suppression.

Produced with two wave-killing ribs instead of the usual single rib for a even higher wave killing efficiency. A large part of the wave hits the first rib and makes the discs turn wich will absorb the energy. A small part hits the second rib, reflects and works as "a brake". Therefore the wave effect is 29% better!

Made of strong High Density PE with UV protection.



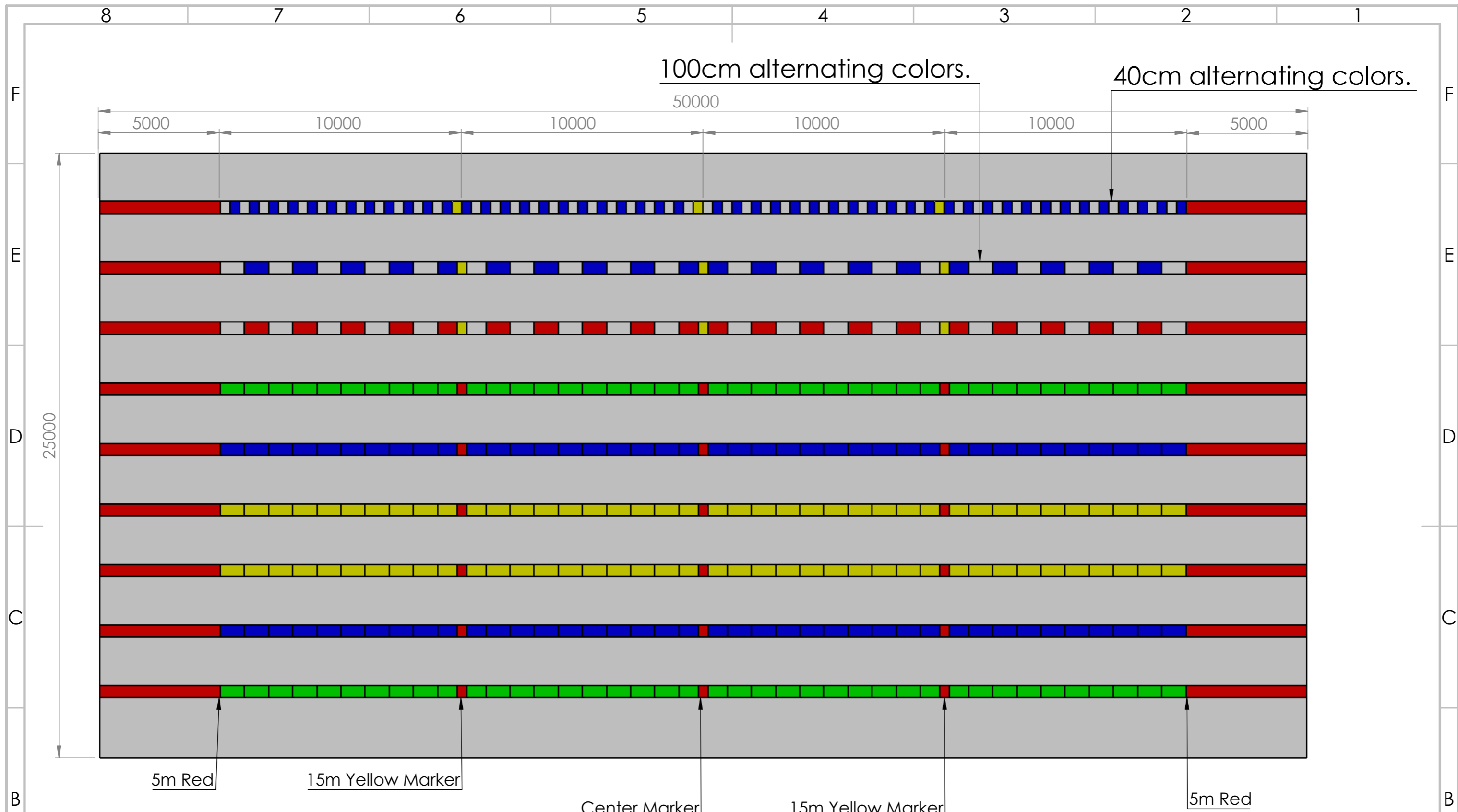
DRAWN	R.W
DATE	06-02-2019
APPV'D	F.H

The information contained in this document is for information purposes only. All handling of materials or necessary structural work should be handled with care or carried out by professionals.

TITLE: **MAKS Wave Stopper 4" & 6"**

DWG NO. **MAKS Swimming lane** A3

SCALE:1:2 SHEET 3 OF 5



Other combinations are also possible.

Available colors:

Red, yellow, blue, white, green.

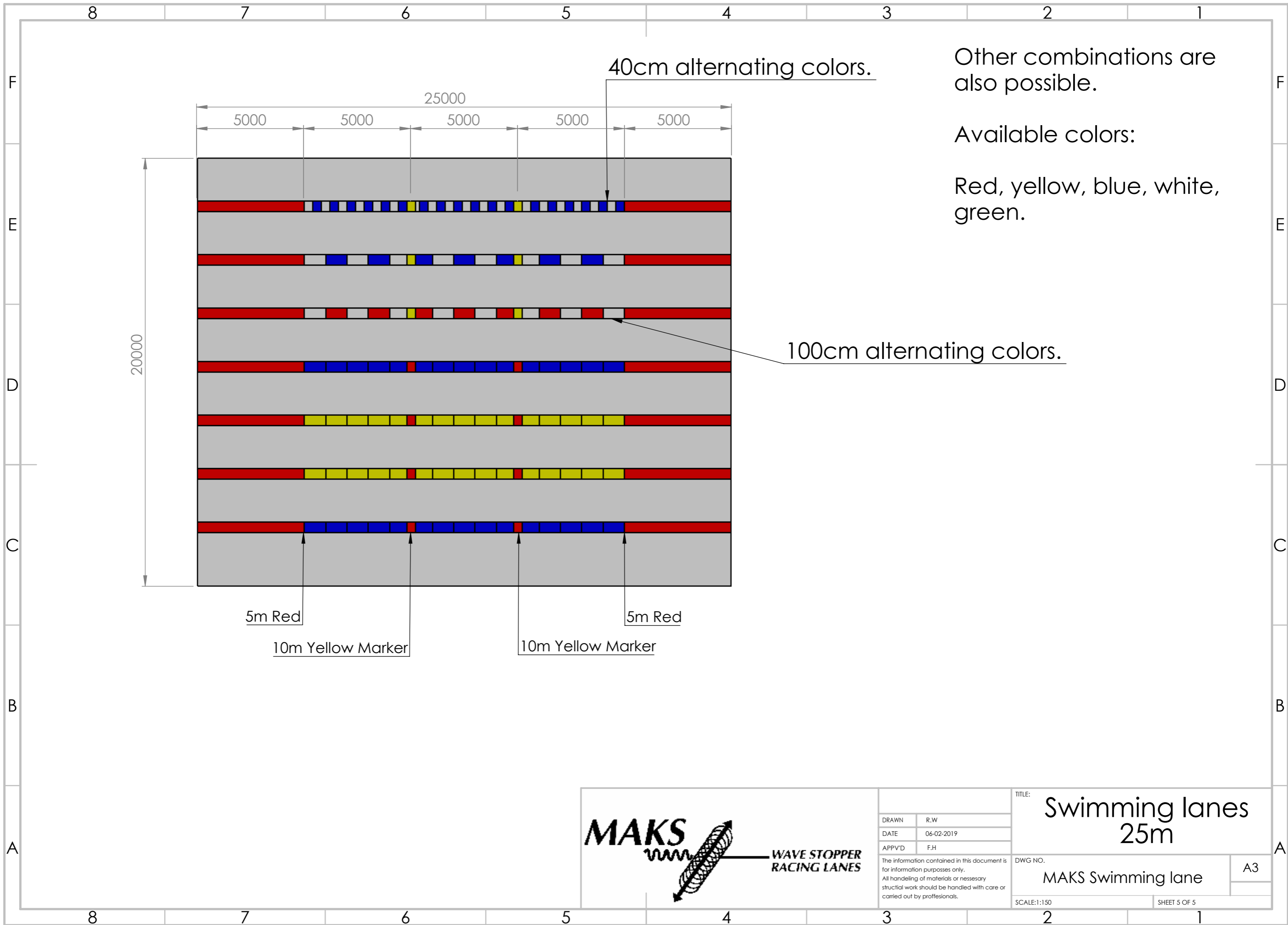


WAVE STOPPER RACING LANES

DRAWN	R.W
DATE	06-02-2019
APPV'D	F.H

The information contained in this document is for information purposes only. All handling of materials or necessary structural work should be handled with care or carried out by professionals.

TITLE: Swimming lanes 50m	
DWG NO. MAKS Swimming lane	A3
SCALE:1:150	SHEET 4 OF 5



Other combinations are also possible.

Available colors:

Red, yellow, blue, white, green.

100cm alternating colors.

40cm alternating colors.

5m Red

10m Yellow Marker

5m Red

10m Yellow Marker

MAKS



WAVE STOPPER RACING LANES

DRAWN R.W.
DATE 06-02-2019
APPV'D F.H.

The information contained in this document is for information purposes only. All handling of materials or necessary structural work should be handled with care or carried out by professionals.

TITLE: **Swimming lanes 25m**

DWG NO. **MAKS Swimming lane**

A3

SCALE:1:150

SHEET 5 OF 5